

26.5 - 40.0 GHz Waveguide Coaxial Adapter Right Angle

P/N: YX-WA28-OS2.4F

Descriptions:

Model YX-WA28-OS2.4F is a WR28 Waveguide

Coaxial Adapter with 2.4 connector,90° Right Angle

from 26.5 to 40.0 GHz,the RF port is equipped with OS2.4mm connector which is optional.

Features:

- Low loss,VSWR
- Good matching
- Wideband characteristics

Applications:

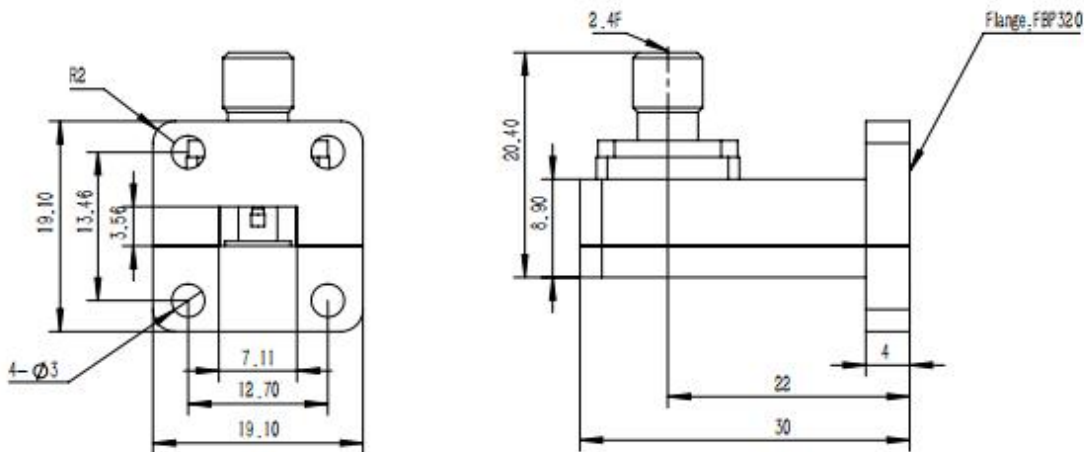
- Microwave communication
- Radar systems
- The field of test and measurement



Electrical & Environmental Specifications	
Frequency Range	26.5 - 40.0GHz
Insertion Loss	≤0.5dB
VSWR	≤1.25
Operating Temperature	-55° to +85° C

Mechanical Specifications	
Flange Type	UBR320(FBP3200)
Coaxial Connector	OS2.4mm-Female/Male
Configuration	Right Angle
Material	Brass
Inside finish	Gold plating
Outside Finish	Blue/Grey painting(Optional)

Outline Drawing (Unit:mm) :



YERSON and its affiliates reserve the right to make changes to the products or information contained herein without prior notice. Please visit www.yersontech.com for additional datasheets and product information.