

**21.7 - 33.0 GHz Waveguide Coaxial Adapter Right Angle**

**P/N: YX-WA34-OS2.4F**

**Descriptions:**

Model YX-WA34-OS2.4F is a WR34 Waveguide

Coaxial Adapter with OS2.4 connector,90° Right Angle

from 21.7 to 33.0 GHz,the RF port is equipped with OS2.4mm connector which is optional.

**Features:**

- Low loss,VSWR
- Good matching
- Wideband characteristics

**Applications:**

- Microwave communication
- Radar systems
- The field of test and measurement



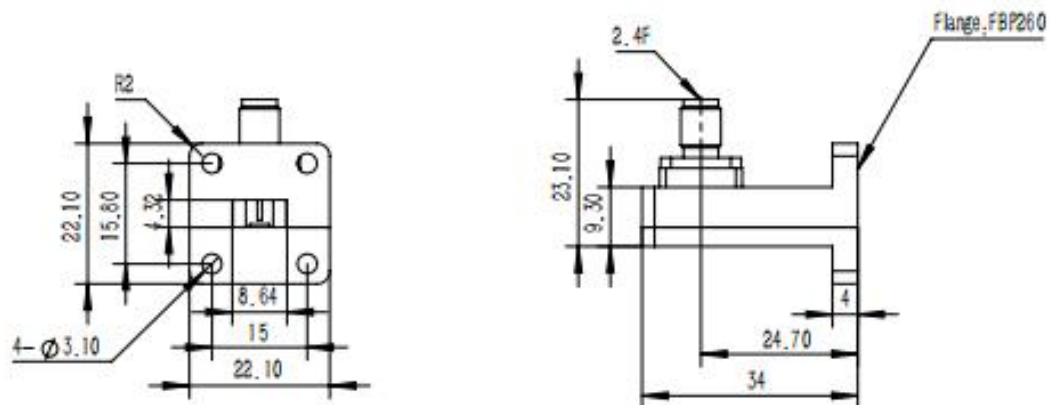
**Electrical & Environmental Specifications**

|                              |                |
|------------------------------|----------------|
| <b>Frequency Range</b>       | 21.7 - 33.0GHz |
| <b>Insertion Loss</b>        | ≤0.5dB         |
| <b>VSWR</b>                  | ≤1.25          |
| <b>Operating Temperature</b> | -55° to +85° C |

**Mechanical Specifications**

|                          |                              |
|--------------------------|------------------------------|
| <b>Flange Type</b>       | UBR260(FBP260)               |
| <b>Coaxial Connector</b> | OS2.4mm-Female/Male)         |
| <b>Configuration</b>     | Right Angle                  |
| <b>Material</b>          | Brass                        |
| <b>Inside finish</b>     | Gold plating                 |
| <b>Outside Finish</b>    | Blue/Grey painting(Optional) |

**Outline Drawing (Unit:mm) :**



YERSON and its affiliates reserve the right to make changes to the products or information contained herein without prior notice. Please visit [www.yersontech.com](http://www.yersontech.com) for additional datasheets and product information.