

21.7~33.0 GHz Waveguide Coaxial Adapter Right Angle

P/N: YX-WA34-KF

Descriptions:

Model **YX-WA34-KF** is a WR34 Waveguide Coaxial Adapter with K2.92mm connector, 90° Right Angle from 21.7 to 33.0 GHz, the RF port is equipped with K2.92mm connector which is optional.

Features:

- Low loss, VSWR
- Good matching
- Wideband characteristics

Applications:

- Microwave communication
- Radar systems
- The field of test and measurement



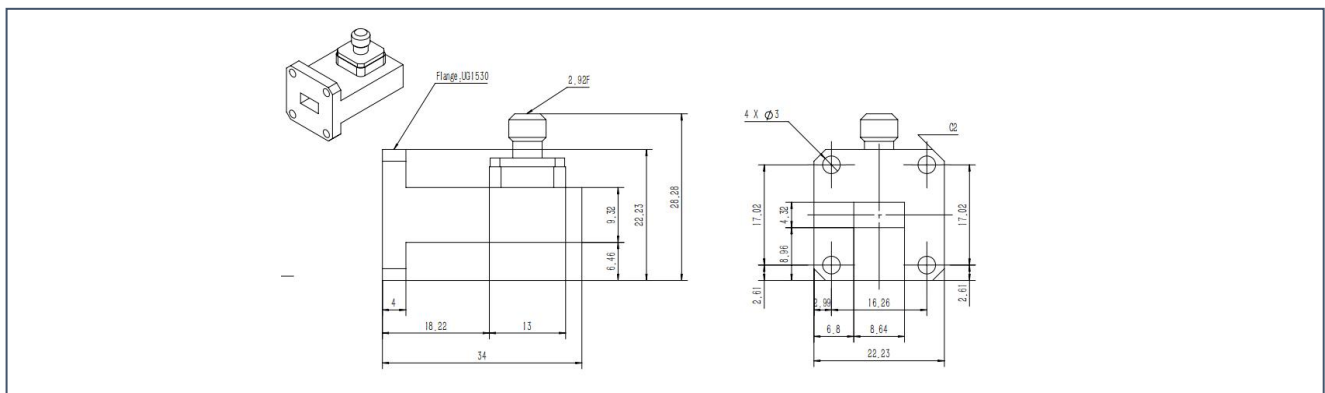
Electrical & Environmental Specifications

Frequency Range	21.7 - 33.0GHz
Insertion Loss	≤0.5dB
VSWR	≤1.25
Operating Temperature	-55° to +85° C

Mechanical Specifications

Flange Type	UG1530 (UBR260)
Coaxial Connector	K2.92mm (Female/Male)
Configuration	Right Angle
Material	Brass/Aluminium
Inside finish	Gold plating/Chromate
Outside Finish	Blue/Grey painting(Optional)

Outline Drawing (Unit:mm) :



YERSON and its affiliates reserve the right to make changes to the products or information contained herein without prior notice. Please visit www.yersontech.com for additional datasheets and product information.