

Coaxial Switch

DPDT/2.92/40GHz/Failsafe Type

Features:

- DC to 40GHz
- Higher reliability and longer lifespan
- Wide frequency range
- Low insertion loss, Low standing wave, high isolation

Typical Applications:

- 5G communication testing, automated testing equipment
- Communication and Navigation System
- Military Aerospace Communication System
- Precision measuring equipment, radar transmitter RF signal control

Electrical Specifications:

Parameter	Typical					
	DC-6GHz	6-12.4GHz	12.4-18GHz	18-26.5GHz	26.5-33GHz	33-40GHz
Frequency Range	DC-6GHz	6-12.4GHz	12.4-18GHz	18-26.5GHz	26.5-33GHz	33-40GHz
VSWR(Max)	1.30	1.40	1.50	1.80	1.90	2.20
Insertion Loss(Max)	0.30dB	0.40dB	0.50dB	0.80dB	1.00dB	1.50dB
Isolation(Min)	70dB	65dB	60dB	55dB	50dB	50dB
Power handing(W)	30W	20W	15W	10W	8W	5W

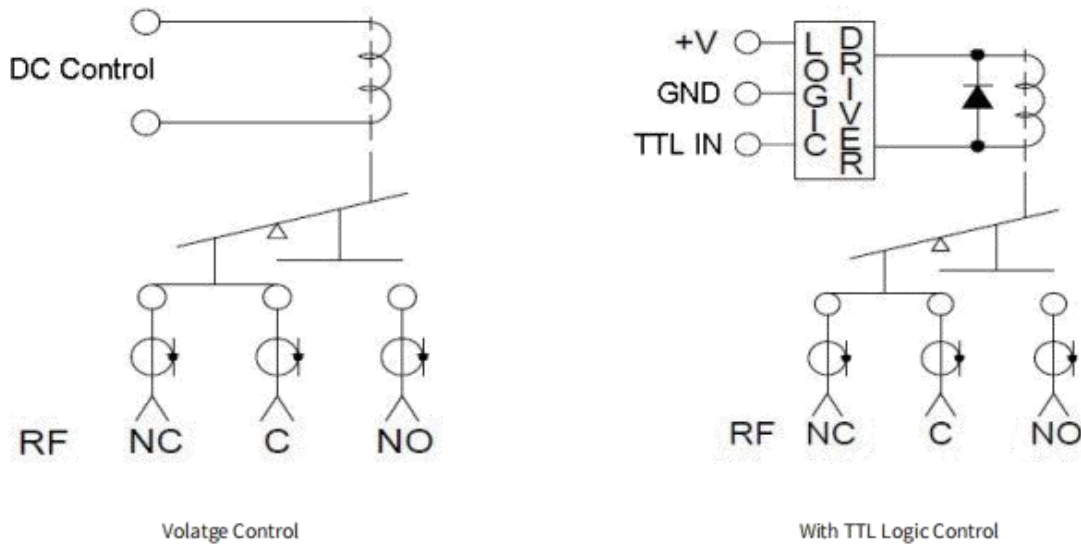
Technical Specifications:

Parameter	Typical
RF Impedance	50Ω
Control voltage/current	DC12V/460mA
	DC24V/240mA(Option15V,28V)
Switching time	<20ms
Operating life	>1000000cycles
Operating Temperature	-25℃ to+65℃
RF Interface	K(2.92mm) female

Coaxial Switch

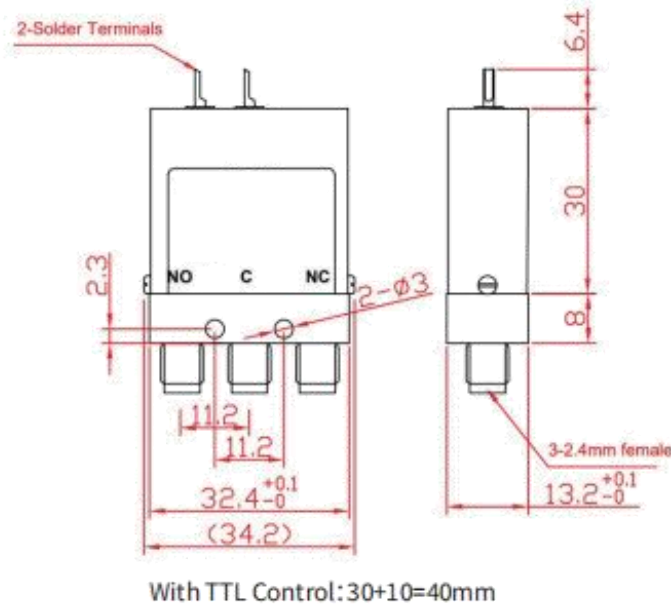
DPDT/2.92/40GHz/Failsafe Type

Schematics:



Outline Drawing:

All Dimensions in mm



YERSON and its affiliates reserve the right to make changes to the products or information contained herein without prior notice. Please visit www.yersontech.com for additional data-sheets and product information.