

Coaxial Switch

DPDT/2.92/40GHz/Latching Type

Features:

- DC to 40GHz
- Higher reliability and longer lifespan
- Wide frequency range
- Low insertion loss, Low standing wave, high isolation

Typical Applications:

- 5G communication testing, automated testing equipment
- Communication and Navigation System
- Military Aerospace Communication System
- Precision measuring equipment, radar transmitter RF signal control

Electrical Specifications:

| Parameter | Typical | | | | | |
|---------------------|---------|-----------|------------|------------|------------|----------|
| | DC-6GHz | 6-12.4GHz | 12.4-18GHz | 18-26.5GHz | 26.5-33GHz | 33-40GHz |
| Frequency Range | DC-6GHz | 6-12.4GHz | 12.4-18GHz | 18-26.5GHz | 26.5-33GHz | 33-40GHz |
| VSWR(Max) | 1.30 | 1.40 | 1.50 | 1.80 | 1.90 | 2.20 |
| Insertion Loss(Max) | 0.30dB | 0.40dB | 0.50dB | 0.80dB | 1.00dB | 1.50dB |
| Isolation(Min) | 70dB | 65dB | 60dB | 55dB | 50dB | 50dB |
| Power handing(W) | 30W | 20W | 15W | 10W | 8W | 5W |

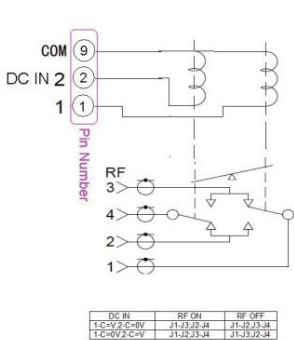
Technical Specifications:

| Parameter | Typical |
|-------------------------|----------------------------|
| RF Impedance | 50Ω |
| Control voltage/current | DC12V/460mA |
| | DC24V/240mA(Option15V,28V) |
| Switching time | <20ms |
| Operating life | >1000000cycles |
| Operating Temperature | -25℃ to+65℃ |
| RF Interface | K(2.92mm) female |

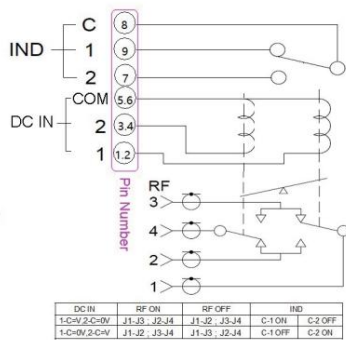
Coaxial Switch

DPDT/2.92/40GHz/Latching Type

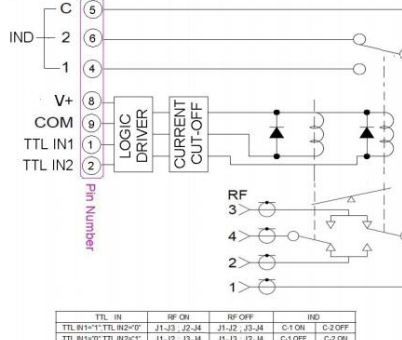
Schematics:



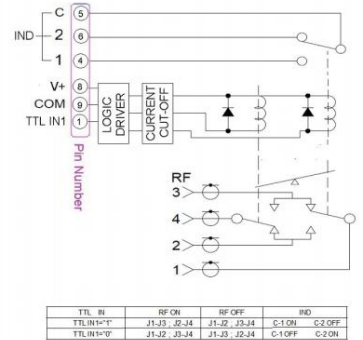
Volatge Control



Voltage Control With Indicator



2Channel TTL Control With Indicator



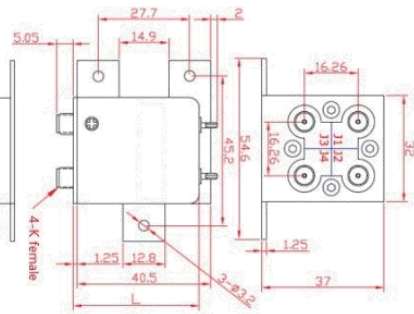
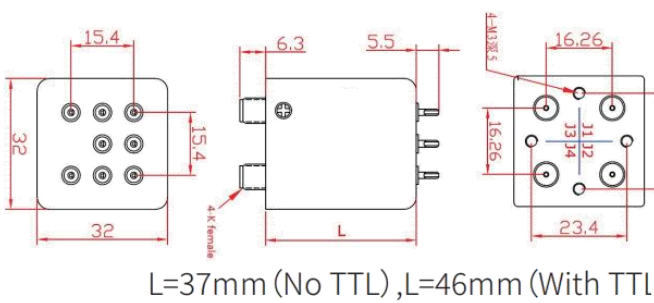
1Channel TTL Control With Indicator

Outline Drawing:

All Dimensions in mm

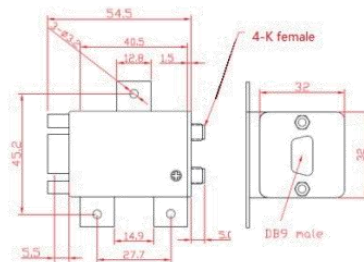
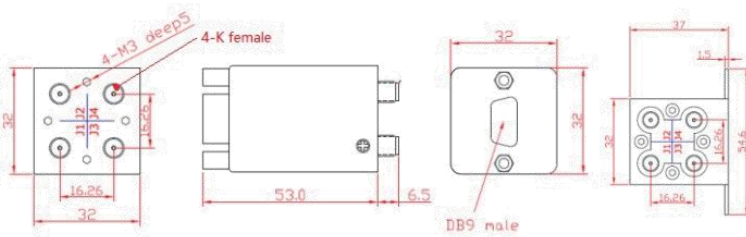
Soldering Pin, NO Plug

Soldering Pin, With Plug



DB9 male, NO PLUG

DB9male, With Plug



YERSON and its affiliates reserve the right to make changes to the products or information contained herein without prior notice. Please visit www.yersontech.com for additional data-sheets and product information.