

Coaxial Switch

DPDT/DIN7/16/3GHz/Latching Type

High Power Type

Features:

- DC to 3GHz
- Higher reliability and longer lifespan
- Wide frequency range
- Low insertion loss, Low standing wave, high isolation

Typical Applications:

- 5G communication testing, automated testing equipment
- Communication and Navigation System
- Military Aerospace Communication System
- Precision measuring equipment, radar transmitter RF signal control

Electrical Specifications:

Parameter	Typical		
Frequency Range	DC-860MHz	1-2GHz	2-3GHz
VSWR(Max)	1.06	1.20	1.30
Insertion Loss(Max)	0.06dB	0.10dB	0.20dB
Isolation(Min)	70dB	60dB	60dB
Power handing(W)	2000W	750W	500W

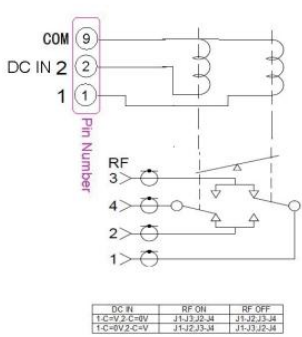
Technical Specifications:

Parameter	Typical
RF Impedance	50Ω
Control voltage/current	DC12V/800mA
	DC24V/400mA(Option:15V,28V)
Switching time	<20ms
Operating life	>1000000cycles
Operating Temperature	-25℃ to+65℃
RF Interface	DIN7/16 female

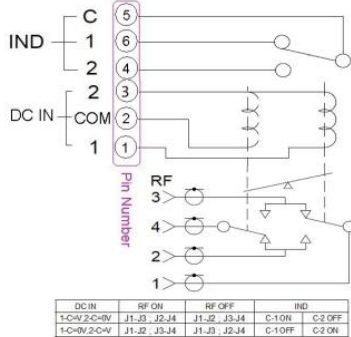
Coaxial Switch

DPDT/DIN7/16/3GHz/Latching Type

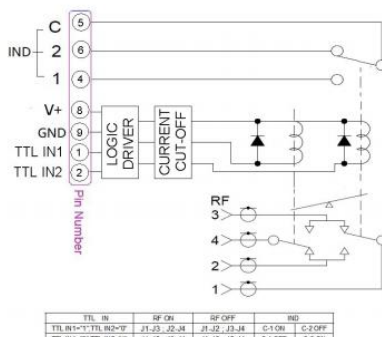
Schematics:



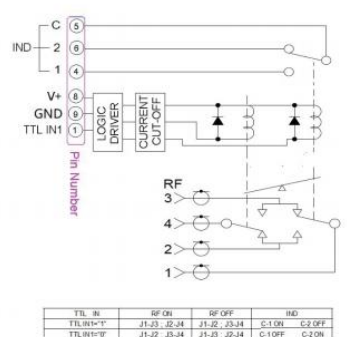
Voltage Control



Voltage Control With Indicator



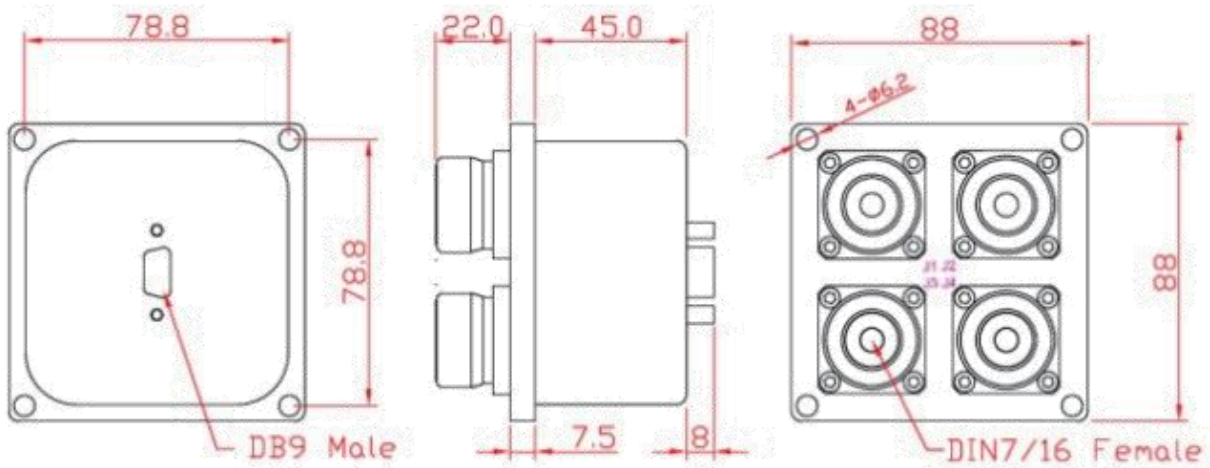
2Channel TTL Control With Indicator



1Channel TTL Control With Indicator

Outline Drawing:

All Dimensions in mm



YERSON and its affiliates reserve the right to make changes to the products or information contained herein without prior notice. Please visit www.yersontech.com for additional data-sheets and product information.