

Coaxial Switch

DPDT/SMA/18GHz/Failsafe Type

Features:

- DC to 18GHz
- Higher reliability and longer lifespan
- Wide frequency range
- Low insertion loss, Low standing wave, high isolation

Typical Applications:

- 5G communication testing, automated testing equipment
- Communication and Navigation System
- Military Aerospace Communication System
- Precision measuring equipment, radar transmitter RF signal control

Electrical Specifications:

Parameter	Typical			
	DC-3GHz	3-6GHz	6-12.4GHz	12.4-18GHz
Frequency Range	DC-3GHz	3-6GHz	6-12.4GHz	12.4-18GHz
VSWR(Max)	1.20	1.30	1.40	1.50
Insertion Loss(Max)	0.20dB	0.30dB	0.40dB	0.50dB
Isolation(Min)	80dB	70dB	65dB	60dB
Power handing(W)	85W	60W	40W	20W

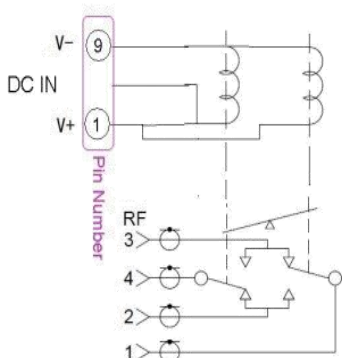
Technical Specifications:

Parameter	Typical
RF Impedance	50Ω
Control voltage/current	DC12V/460mA
	DC24V/240mA(Option15V,28V)
Switching time	<20ms
Operating life	>1000000cycles
Operating Temperature	-25℃ to+65℃
RF Interface	SMA female

Coaxial Switch

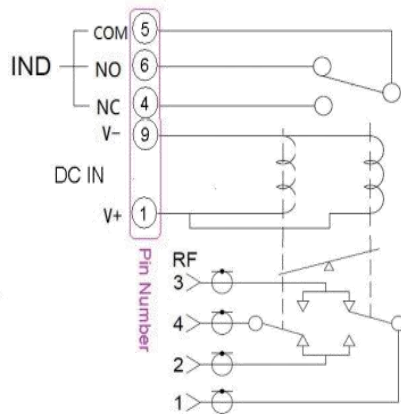
DPDT/SMA/18GHz/Failsafe Type

Schematics:



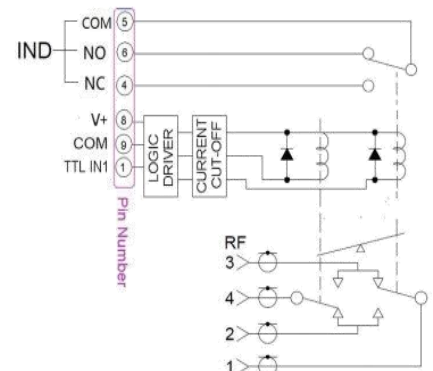
DC IN	RF ON	RF OFF
Pin1-9=0	J1-J3; J2-J4	J1-J2; J3-J4
Pin1-9=V+	J1-J2; J3-J4	J1-J3; J2-J4

Volatge Control



DC IN	RF ON	RF OFF	IND
Pin1-9=0V	J1-J3; J2-J4	J1-J2; J3-J4	NC-COM ON / NO-COM OFF
Pin1-9=V+	J1-J2; J3-J4	J1-J3; J2-J4	NC-COM OFF / NO-COM ON

Voltage Control With Indicator



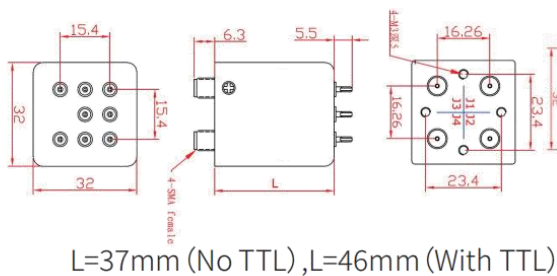
TTL IN	RF ON	RF OFF	IND
TTL IN=0	J1-J3; J2-J4	J1-J2; J3-J4	NC-COM ON / NO-COM OFF
TTL IN=1	J1-J2; J3-J4	J1-J3; J2-J4	NC-COM OFF / NO-COM ON

With TTL Logic Control and With Indicator

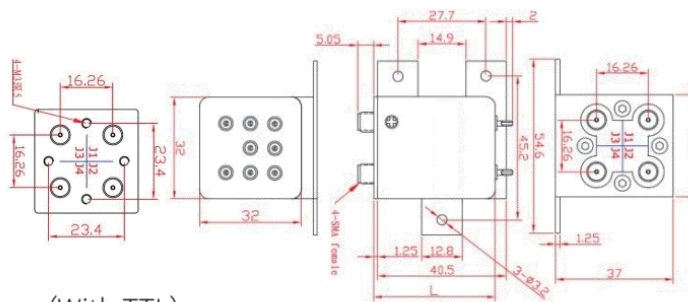
Outline Drawing:

All Dimensions in mm

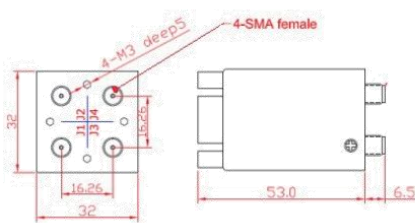
Soldering Pin, NO Plug



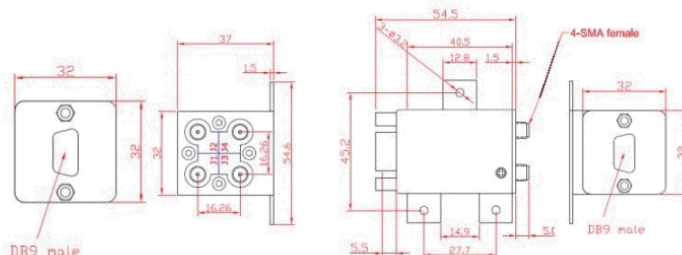
Soldering Pin, With Plug



DB9 male, NO PLUG



DB9male, With Plug



YERSON and its affiliates reserve the right to make changes to the products or information contained herein without prior notice. Please visit www.yersontech.com for additional data-sheets and product information.