

## Coaxial Switch

DPDT/SMA/18GHz/Latching Type

### Features:

- DC to 18GHz
- Higher reliability and longer lifespan
- Wide frequency range
- Low insertion loss, Low standing wave, high isolation

### Typical Applications:

- 5G communication testing, automated testing equipment
- Communication and Navigation System
- Military Aerospace Communication System
- Precision measuring equipment, radar transmitter RF signal control

### Electrical Specifications:

Parameter	Typical			
Frequency Range	DC-3GHz	3-6GHz	6-12.4GHz	12.4-18GHz
VSWR(Max)	1.20	1.30	1.40	1.50
Insertion Loss(Max)	0.20dB	0.30dB	0.40dB	0.50dB
Isolation(Min)	80dB	70dB	65dB	60dB
Power handing(W)	85W	60W	40W	20W

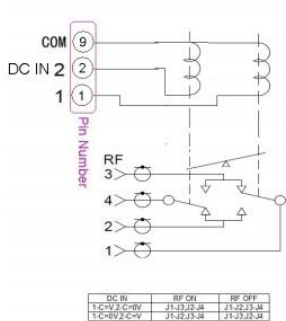
### Technical Specifications:

Parameter	Typical
RF Impedance	50Ω
Control voltage/current	DC12V/460mA
	DC24V/240mA(Option15V,28V)
Switching time	<20ms
Operating life	>1000000cycles
Operating Temperature	-25℃ to+65℃
RF Interface	SMA female

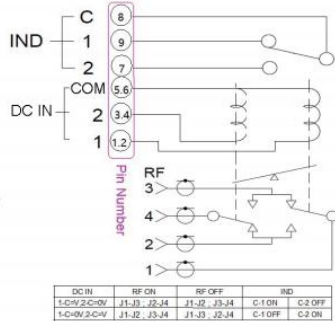
**Coaxial Switch**

**DPDT/SMA/18GHz/Latching Type**

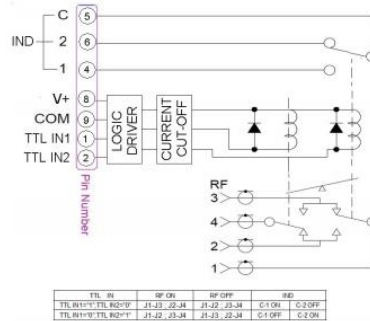
**Schematics:**



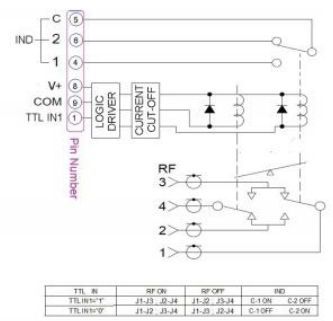
Volatge Control



Voltage Control With Indicator



2Channel TTL Control With Indicator



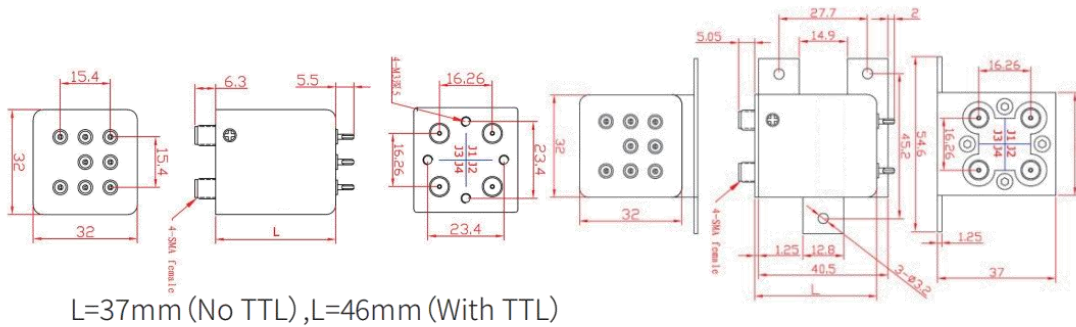
1Channel TTL Control With Indicator

**Outline Drawing:**

All Dimensions in mm

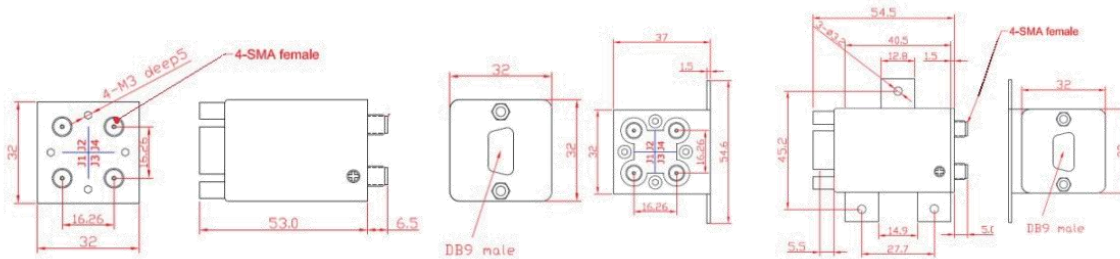
Soldering Pin, NO Plug

Soldering Pin, With Plug



DB9 male, Without PLUG

DB9male, With Plug



YERSON and its affiliates reserve the right to make changes to the products or information contained herein without prior notice. Please visit [www.yersontech.com](http://www.yersontech.com) for additional data-sheets and product information.