

## Coaxial Switch

SP9T-12T/SMA/18GHz/Latching Type/With Termination

### Features:

- DC to 18GHz
- Higher reliability and longer lifespan
- Wide frequency range
- Low insertion loss, Low standing wave, high isolation

### Typical Applications:

- 5G communication testing, automated testing equipment
- Communication and Navigation System
- Military Aerospace Communication System
- Precision measuring equipment, radar transmitter RF signal control

### Electrical Specifications:

Parameter	Typical				
Frequency Range	DC-3GHz	3-6GHz	6-12.4GHz	12.4-15GHz	15-18GHz
VSWR(Max)	1.20	1.30	1.40	1.50	2.20
Insertion Loss(Max)	0.20dB	0.30dB	0.40dB	0.60dB	1.10dB
Isolation(Min)	80dB	70dB	65dB	60dB	60dB
Power handing(W)	60W	40W	20W	10W	10W

### Technical Specifications:

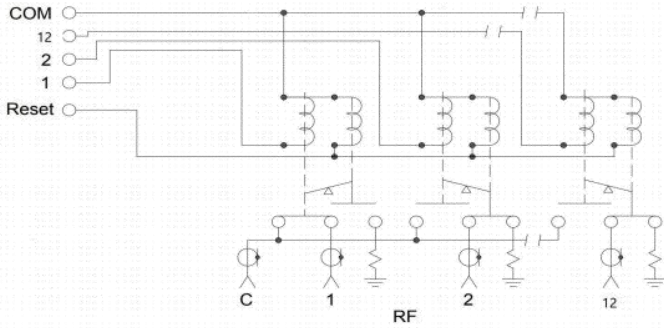
Parameter	Typical
RF Impedance	50Ω
Control voltage/current	DC12V/200mA,RESET=N*200mA
	DC24V/100mA,RESET=N*100mA
Switching time	<20ms
Operating life	>1000000cycles
Operating Temperature	-25℃ to+65℃
RF Interface	SMA female

\*Internal Termination Power Handing:1W(CW)

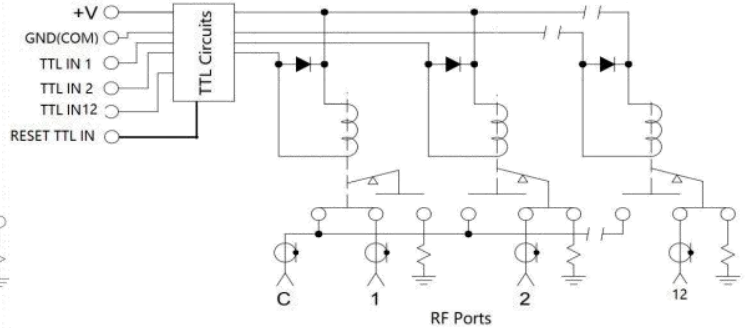
**Coaxial Switch**

**SP9T-12T/SMA/18GHz/Latching Type/With Termination**

**Schematics:**



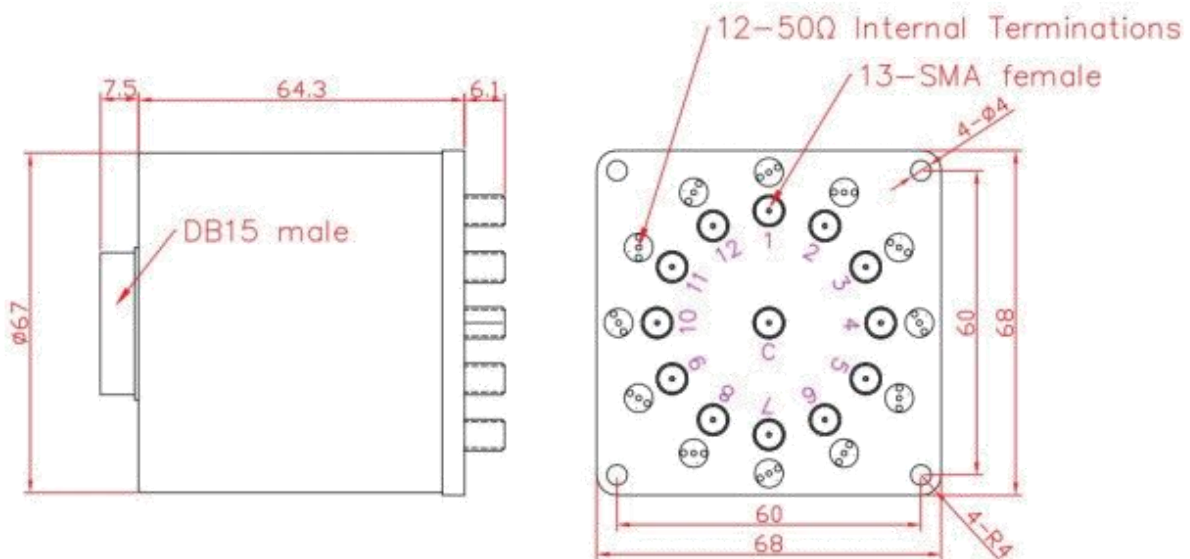
Volatge Control



With TTL Logic Control

**Outline Drawing:**

All Dimensions in mm



YERSON and its affiliates reserve the right to make changes to the products or information contained herein without prior notice. Please visit [www.yersontech.com](http://www.yersontech.com) for additional data-sheets and product information.