

Coaxial Switch

SPDT/2.4/50GHz/Failsafe Type

Features:

- DC to 50GHz
- Higher reliability and longer lifespan
- Wide frequency range
- Low insertion loss, Low standing wave, high isolation

Typical Applications:

- 5G communication testing, automated testing equipment
- Communication and Navigation System
- Military Aerospace Communication System
- Precision measuring equipment, radar transmitter RF signal control

Electrical Specifications:

Parameter	Typical					
	DC-6GHz	6-12.4GHz	12.4-18GHz	18-26.5GHz	26.5-43.5GHz	43.5-50GHz
Frequency Range	DC-6GHz	6-12.4GHz	12.4-18GHz	18-26.5GHz	26.5-43.5GHz	43.5-50GHz
VSWR(Max)	1.30	1.40	1.50	1.60	1.80	1.90
Insertion Loss(Max)	0.30dB	0.40dB	0.50dB	0.70dB	0.80dB	0.90dB
Isolation(Min)	70dB	65dB	60dB	55dB	50dB	50dB
Power handing(W)	30W	20W	15W	10W	5W	2W

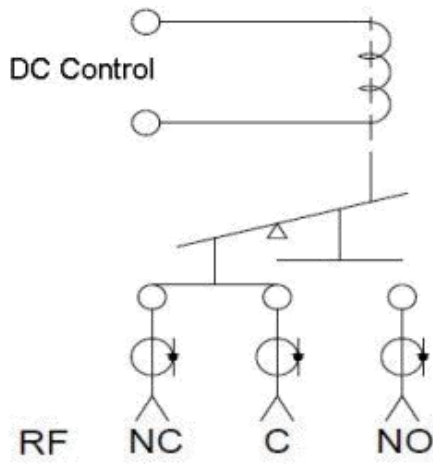
Technical Specifications:

Parameter	Typical
RF Impedance	50Ω
Control voltage/current	DC12V/285mA
	DC24V/80mA
Switching time	<15ms
Operating life	>1000000cycles
Operating Temperature	-25℃ to+65℃
RF Interface	2.4mm female

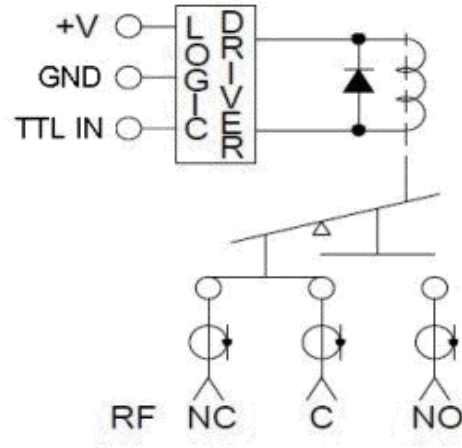
Coaxial Switch

SPDT/2.4/50GHz/Failsafe Type

Schematics:



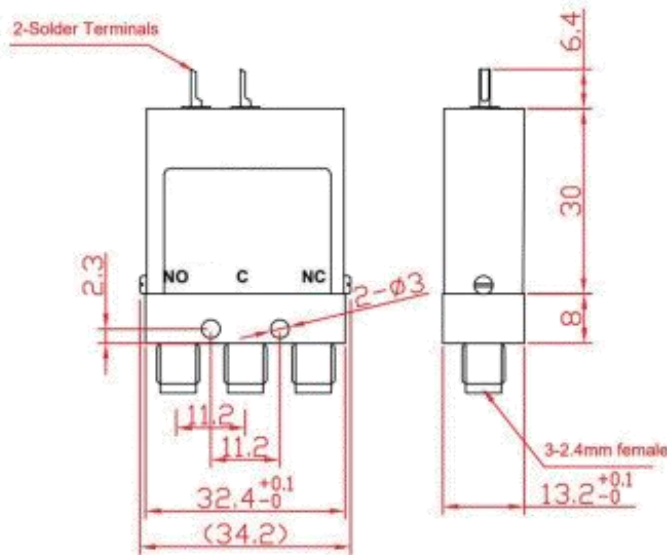
Volatge Control



With TTL Logic Control

Outline Drawing:

All Dimensions in mm



With TTL Control: 30+10=40mm



YERSON and its affiliates reserve the right to make changes to the products or information contained herein without prior notice. Please visit www.yersontech.com for additional data-sheets and product information.