

Coaxial Switch

SPDT/2.92/40GHz/Failsafe Type/With Termination

Features:

- DC to 40GHz
- Higher reliability and longer lifespan
- Wide frequency range
- Low insertion loss, Low standing wave, high isolation

Typical Applications:

- 5G communication testing, automated testing equipment
- Communication and Navigation System
- Military Aerospace Communication System
- Precision measuring equipment, radar transmitter RF signal control

Electrical Specifications:

Parameter	Typical				
Frequency Range	DC-6GHz	6-12GHz	12-18GHz	18-26.5GHz	26.5-40GHz
VSWR(Max)	1.30	1.40	1.50	1.70	2.00
Insertion Loss(Max)	0.30dB	0.40dB	0.50dB	0.80dB	1.00dB
Isolation(Min)	70dB	65dB	60dB	55dB	50dB
Power handing(W)	30W	20W	15W	10W	5W

Technical Specifications:

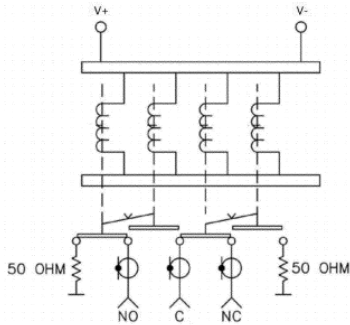
Parameter	Typical
RF Impedance	50Ω
Control voltage/current	DC12V/390mA
	DC24V/220mA
Switching time	<20ms
Operating life	>1000000cycles
Operating Temperature	-25℃ to+65℃
RF Interface	K(2.92mm) female

*Internal Termination Power Handing:1W(CW)

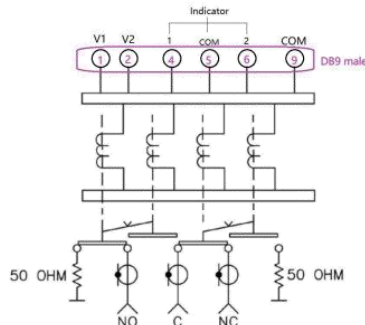
Coaxial Switch

SPDT/2.92/40GHz/Failsafe Type/With Termination

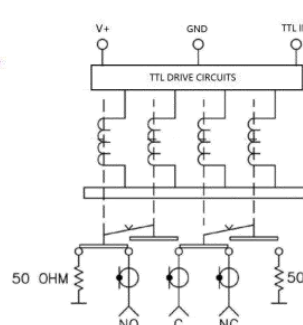
Schematics:



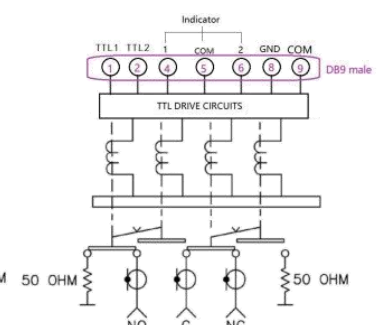
Volatge Control



Voltage Control With Indicato



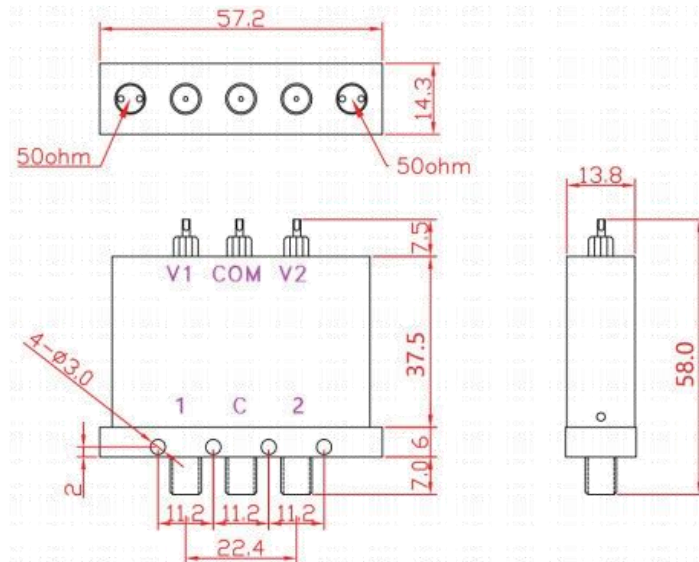
With TTL Logic Control



TTL Logic Control & With Indicator

Outline Drawing:

All Dimensions in mm



With TTL Control: 37.5+3.5=41mm, DB9 male=37.5+10.5=47mm



YERSON and its affiliates reserve the right to make changes to the products or information contained herein without prior notice. Please visit www.yersontech.com for additional data-sheets and product information.