

Coaxial Switch

SPDT/2.92/40GHz/Latching Type

Features:

- DC to 40GHz
- Higher reliability and longer lifespan
- Wide frequency range
- Low insertion loss, Low standing wave, high isolation

Typical Applications:

- 5G communication testing, automated testing equipment
- Communication and Navigation System
- Military Aerospace Communication System
- Precision measuring equipment, radar transmitter RF signal control

Electrical Specifications:

Parameter	Typical				
	DC-6GHz	6-12.4GHz	12.4-18GHz	18-26.5GHz	26.5-40GHz
Frequency Range	DC-6GHz	6-12.4GHz	12.4-18GHz	18-26.5GHz	26.5-40GHz
VSWR(Max)	1.30	1.40	1.50	1.60	1.90
Insertion Loss(Max)	0.30dB	0.40dB	0.50dB	0.80dB	0.90dB
Isolation(Min)	70dB	65dB	60dB	55dB	50dB
Power handing(W)	30W	20W	15W	10W	5W

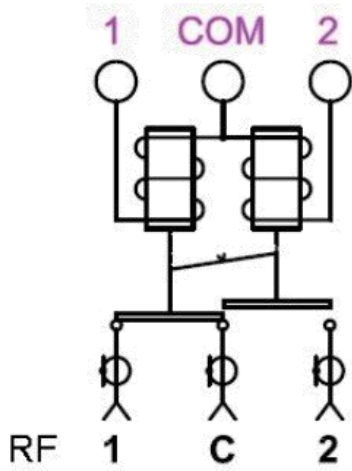
Technical Specifications:

Parameter	Typical
RF Impedance	50Ω
Control voltage/current	DC12V/200mA
	DC24V/100mA(Option:5V,15V,28V)
Switching time	<15ms
Operating life	>1000000cycles
Operating Temperature	-25℃ to+65℃
RF Interface	K(2.92mm) female

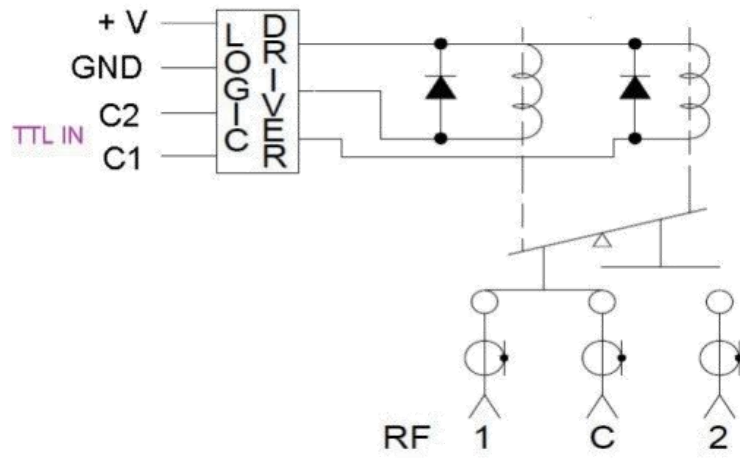
Coaxial Switch

SPDT/2.92/40GHz/Latching Type

Schematics:



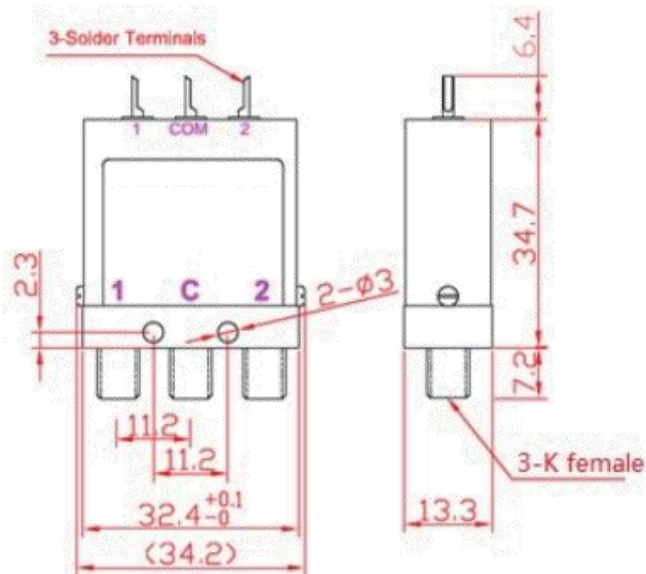
Volatge Control



With TTL Logic Control

Outline Drawing:

All Dimensions in mm



YERSON and its affiliates reserve the right to make changes to the products or information contained herein without prior notice. Please visit www.yersontech.com for additional data-sheets and product information.