

## Coaxial Switch

SPDT/N/12.4GHz/Latching Type

### High Power Type

Features:

- DC to 12.4GHz
- Higher reliability and longer lifespan
- Wide frequency range
- Low insertion loss, Low standing wave, high isolation

Typical Applications:

- 5G communication testing, automated testing equipment
- Communication and Navigation System
- Military Aerospace Communication System
- Precision measuring equipment, radar transmitter RF signal control

Electrical Specifications:

Parameter	Typical		
	DC-3GHz	3-6GHz	6-12.4GHz
Frequency Range	DC-3GHz	3-6GHz	6-12.4GHz
VSWR(Max)	1.20	1.35	1.60
Insertion Loss(Max)	0.20dB	0.40dB	0.80dB
Isolation(Min)	80dB	70dB	60dB
Power handing(W)	200W	150W	100W

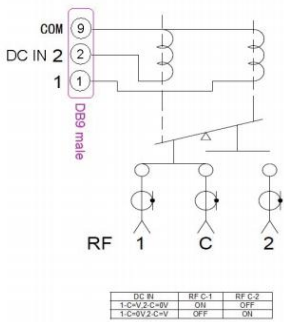
Technical Specifications:

Parameter	Typical
RF Impedance	50Ω
Control voltage/current	DC12V/300mA
	DC24V/150mA(Option:15V,28V)
Switching time	<20ms
Operating life	>1000000cycles
Operating Temperature	-25℃ to+65℃
RF Interface	N female

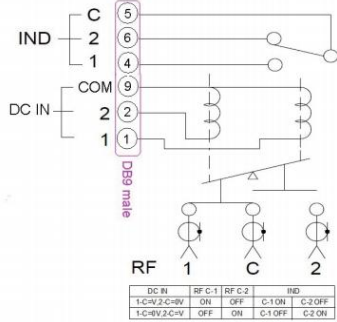
**Coaxial Switch**

**SPDT/N/12.4GHz/Latching Type**

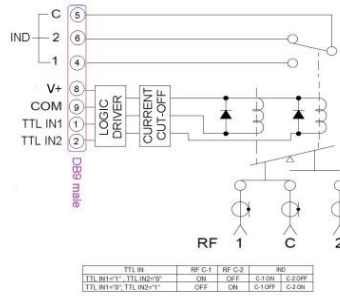
**Schematics:**



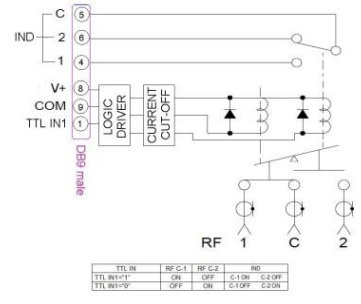
Voltage Control



Voltage Control With Indicator



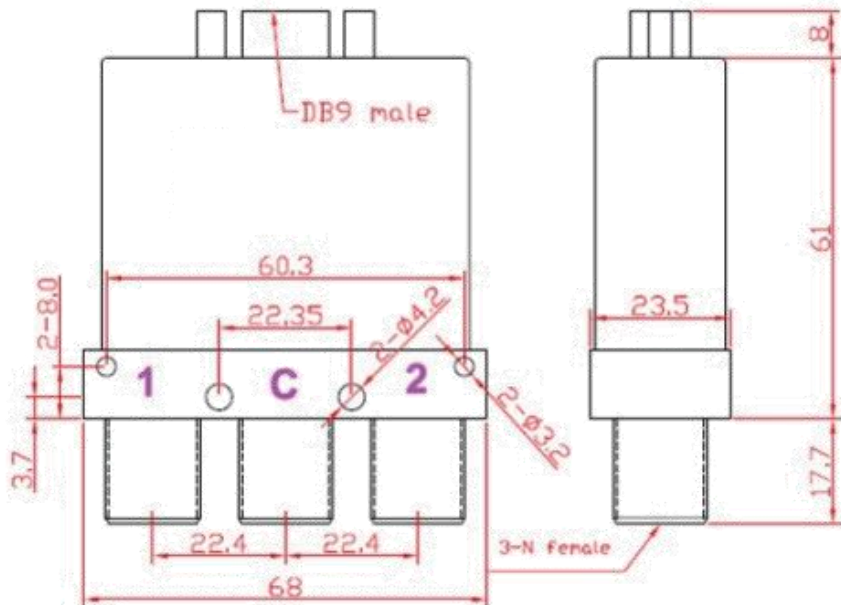
2 Channel TTL Control With Indicator



1 Channel TTL Control With Indicator

**Outline Drawing:**

All Dimensions in mm



YERSON and its affiliates reserve the right to make changes to the products or information contained herein without prior notice. Please visit [www.yersontech.com](http://www.yersontech.com) for additional data-sheets and product information.