

## Coaxial Switch

SPDT/N/6GHz/High Power Latching Type

### High Power Type

Features:

- DC to 6GHz
- Higher reliability and longer lifespan
- Wide frequency range
- Low insertion loss, Low standing wave, high isolation

Typical Applications:

- 5G communication testing, automated testing equipment
- Communication and Navigation System
- Military Aerospace Communication System
- Precision measuring equipment, radar transmitter RF signal control

Electrical Specifications:

Parameter	Typical				
Frequency Range	DC-0.5GHz	0.5-1GHz	1-2GHz	2-3GHz	3-6GHz
VSWR(Max)	1.05	1.10	1.15	1.20	1.35
Insertion Loss(Max)	0.08dB	0.10dB	0.15dB	0.20dB	0.40dB
Isolation(Min)	85dB	80dB	75dB	70dB	65dB
Power handing(W)	1600W	1100W	700W	600W	400W

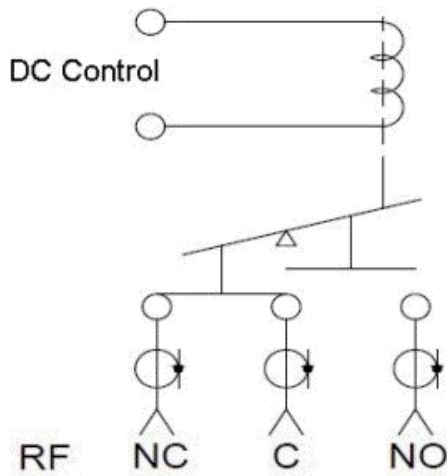
Technical Specifications:

Parameter	Typical
RF Impedance	50Ω
Control voltage/current	DC12V/300mA
	DC24V/150mA(Option:15V,28V)
Switching time	<20ms
Operating life	>1000000cycles
Operating Temperature	-25℃ to+65℃
RF Interface	N female

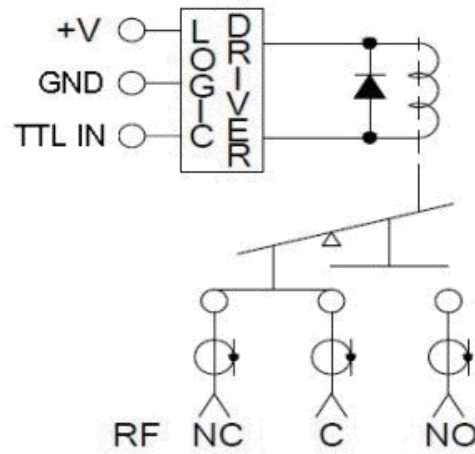
**Coaxial Switch**

SPDT/N/6GHz/High Power Latching Type

**Schematics:**



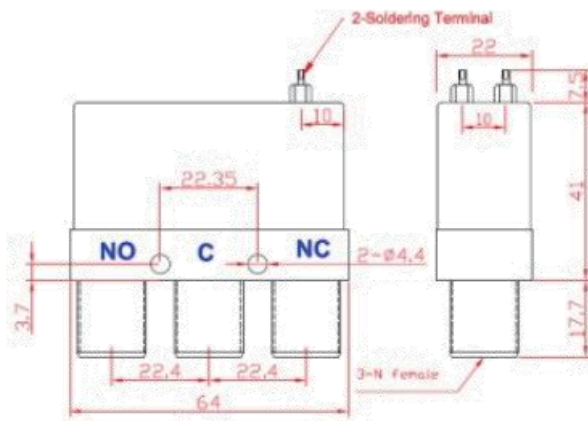
Voltage Control



With TTL Logic Control

**Outline Drawing:**

All Dimensions in mm



With TTL Control



With Indicator



With TTL & Indicator



YERSON and its affiliates reserve the right to make changes to the products or information contained herein without prior notice. Please visit [www.yersontech.com](http://www.yersontech.com) for additional data-sheets and product information.